

Description:

Easy filling device for rain barrels.

The 3P Rainwater Collector with coarse filter detains dirt as leaves and collects rainwater of small roof areas (up to 50 m²) for the filling of rain barrels.

Suitable for connection of nearly all downpipes from Ø 68 to Ø 100 mm and rectangle downpipes with 60 x 60 mm.

Connection 32 mm, overflow function possible, please observe the installation instructions.



How it works:

1. Rainwater is led into the filter
2. Dirt is detained through the inner fence
3. Cleaned water is led over the connection 32 mm to the rain barrel
4. Dirt water is led into the sewer system

The inner filter insert serves also for fixing the downpipe.



Technical Data:

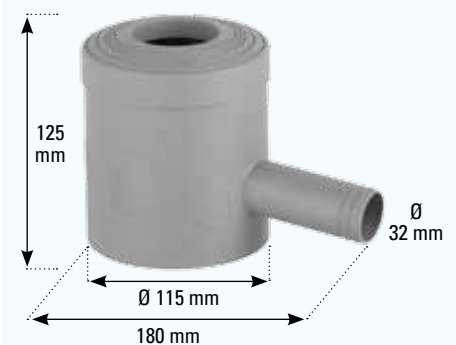
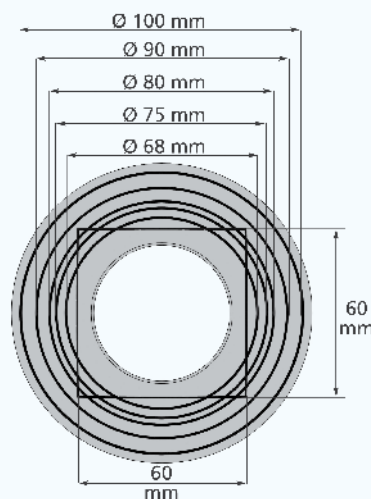
Available in grey and brown

Connection for downpipes Ø 68 up to 100 mm as well as rectangle downpipes with the measurements 60 x 60 mm

Connection Ø 32mm, the connecting hose can be fitted directly

Material: Polyethylene

Weight: 0,3 kg



Example 1:

Installation of a 3P Rainwater Collector grey in a downpipe of zinc



Example 2:

Installation of a 3P Rainwater Collector brown in a downpipe of copper



Text for invitation of tenders:

Pos.	Quantity	Article	Price in €
1.1	_____	3P Rain Collector Rain filter for installation in downpipes from Ø 68 to Ø 100 mm and connection to rain barrel with Ø 32 mm For filling small above ground rain tanks Dirt is led into the sewer system, cleaned water is directed to the connecteed system	_____

Accessories:

3P Connection Set Ø 32 mm
Art.-Nr. 9000128
1" x Ø 32 mm, 25 cm hose with tank wall seal connector, including hand drill



Observations:

Packing 3P Rain Collector:
4 colored printing box in 8 languages

Packing unit 3P Rain Collector:

Covering box 600 x 400 x 520 mm: 60 pieces
Pallet: 960 pieces

EAN:

Art.-Nr. 2000130 brown: 4018712001976

Art.-Nr. 2000140 grey: 4018712001983